



air master



Chapter 4

INDEX

A. Egg crate grilles.	
1. Egg crate grille.....	AEG..... 4.1
2. Egg crate register.....	AER..... 4.2
• Standard sizes.....	4.3
• Fixing details.....	4.3
• How to order	4.3
B. Air flow data.	
1. Egg crate grilles.....	Tab 4.1..... 4.4



air master

Egg crate grilles

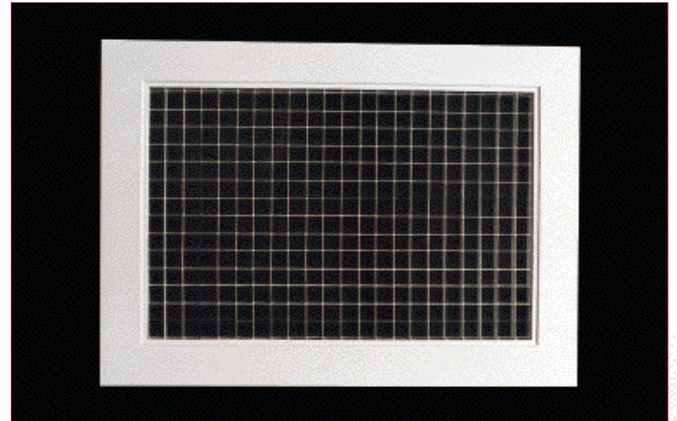
Model: AEG

Construction:

- **Frame:** High quality extruded aluminium profiles with 30 mm flange width as standard. 12, 16, 24 mm flange widths are optional.
- **Egg crate core:** 12.5 mm x 12.5 mm x 12.5 mm aluminium grid.

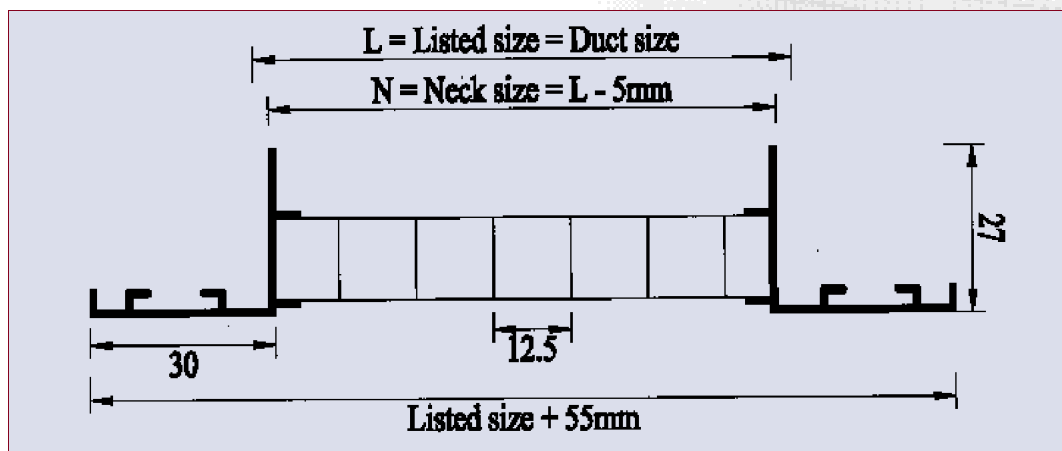
Description:

- Frame is constructed from high quality extruded aluminium profiles with the advantages of corrosion resistance and rigidity.
- Aluminium egg crate core of 12.5 mm x 12.5 mm x 12.5 mm size is fixed rigidly to the frame.
- Foam gasket is sealed around the back of the frame as option to avoid air leakage.
- Rigid construction provides noiseless performance.
- Designed for return and exhaust applications for conditioned space.



Standard finishes:

- Natural aluminium anodized finish.
- Powder coated colour finish as per RAL colour codes.
- Flexibility of finishing is available as option.





air master

Egg crate register

Model: AER

Construction:

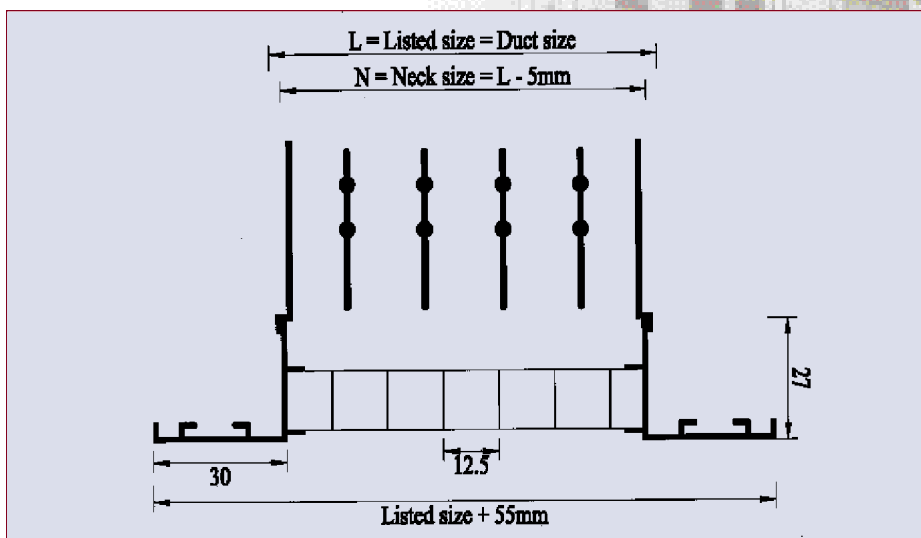
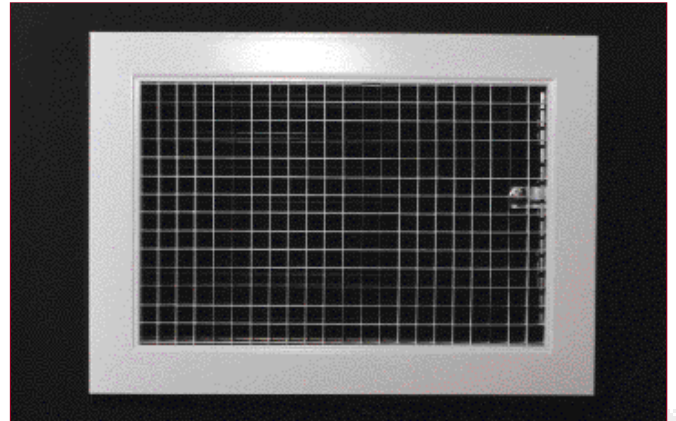
- **Frame:** High quality extruded aluminium profiles with 30 mm flange width as standard. 12, 16, 24 mm flange widths are optional.
- **Egg crate core:** 12.5 mm x 12.5 mm x 12.5 mm aluminium grid.
- **Damper frame and blades:** Aluminium profiles with natural aluminium finish. Black matt finish as option.

Description:

- Frame is constructed from high quality extruded aluminium profiles with the advantages of corrosion resistance and rigidity.
- Aluminium egg crate core of 12.5 mm x 12.5 mm x 12.5 mm size is fixed rigidly to the frame.
- Grilles fixed with opposed blade damper for controlling exhaust air flow.
- Damper blades are fixed to the frame by nylon bushes.
- Damper blades can be screw operated from the face opening.
- Foam gasket is sealed around the back of the frame as option to avoid air leakage.
- Rigid construction provides noiseless performance.
- Designed for return and exhaust applications for conditioned space.

Standard finishes:

- Natural aluminium anodized finish.
- Powder coated colour finish as per RAL colour codes.
- Flexibility of finishing is available as option.





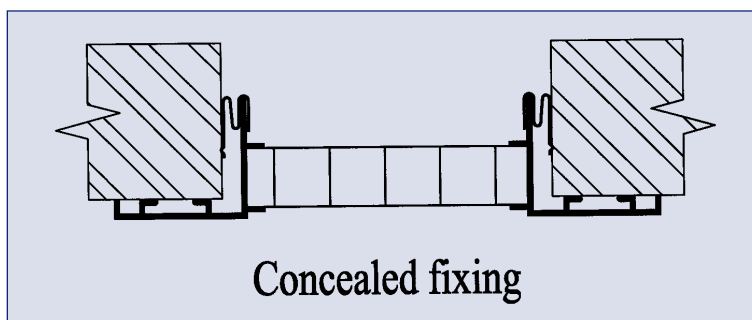
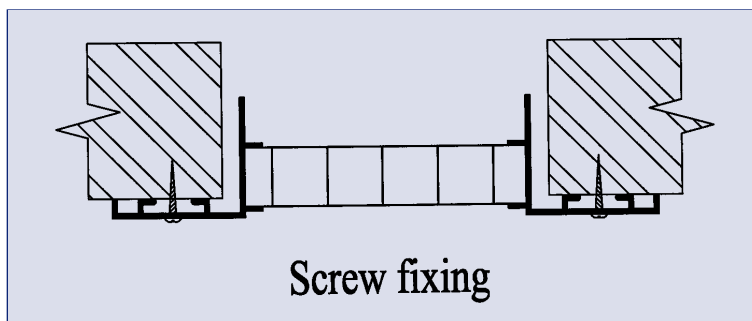
air master

Standard Sizes:

- Available in square and rectangular sizes.
- Non standard sizes are available as option.

Width in mm	150	225	300	375	450	525	600
Height in mm	150	225	300	375	450	525	600

Fixing details:



How to order:

Model	Size	Quantity	Finish
AEG	Specify opening size in Width x height mm x mm	Specify in numbers	A = Aluminium anodized finish.
AER			B = RAL 9010
			C = Other RAL colours

Ordering example:

1. To select egg crate register of size 450 x 450 mm of quantity 75 nos with aluminium anodized finish.

Order as : AER-450 x 450 - 75 - A.



air master

Egg crate grilles

Model: AEG

Table 4.1 Air flow data

Core velocity in m/sec.	1.25	1.5	2	2.5	3	3.5	4	4.5	5
Pressure drop in mm H ₂ O.	0.254	0.363	0.635	1.016	1.524	2.032	2.54	3.302	4.064
Listed size mm x mm	Air flow in m ³ / sec.								
150 x 150	0.0298	0.035	0.047	0.059	0.071	0.0827	0.094	0.106	0.118
225 x 225	0.063	0.076	0.101	0.127	0.152	0.177	0.203	0.228	0.253
300 x 300	0.115	0.136	0.183	0.229	0.275	0.321	0.367	0.412	0.458
375 x 375	0.179	0.212	0.285	0.357	0.428	0.499	0.571	0.642	0.713
450 x 450	0.257	0.306	0.412	0.515	0.618	0.721	0.824	0.927	1.029
525 x 525	0.351	0.417	0.561	0.701	0.842	0.982	1.122	1.263	1.403
600 x 600	0.458	0.596	0.733	0.916	1.0997	1.283	1.466	1.649	1.833

- Air flow data for non standard sizes can be interpolated from the above data.