



air master

# Circular volume control damper

► Model: AVCD-C

### Construction:

- **Frame:** 1 mm thick galvanized steel sheet.
- **Blades:** 1 mm thick galvanized steel sheet.
- **Bearing pins:** Electro plated steel rod of 10 mm diameter.
- **Bushings:** Self oiling nylon bushings of 10 mm internal square size.
- **Bearing pin connecting quadrant:** Electro plated square steel rod of size 12.7 x 12.7 mm.
- **Quadrant:** Locking quadrant with heavy gauge, electro plated steel.

### Description:

- Frame is constructed from galvanized steel sheet. Joints are welded and protected by aluminium spray coating.
- Damper blade, which is fixed to the bearing pin, can be rotated in vertical plane from full open to full close.
- Bearing pin is coupled with hand locking quadrant with open and close marking. Hand locking quadrant frame is marked to show exact position of damper.
- Designed for use in heating, ventilating and air conditioning systems.



Round VCD with flange. Model AVCD-CF

### Accessories:

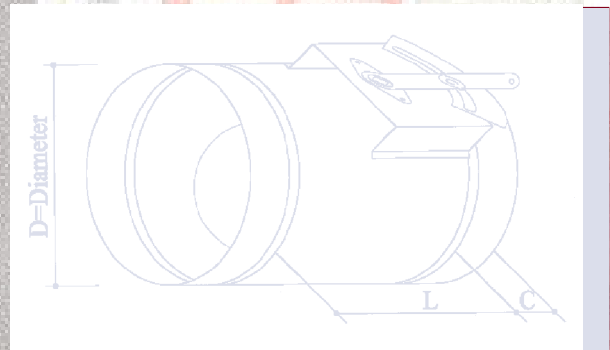
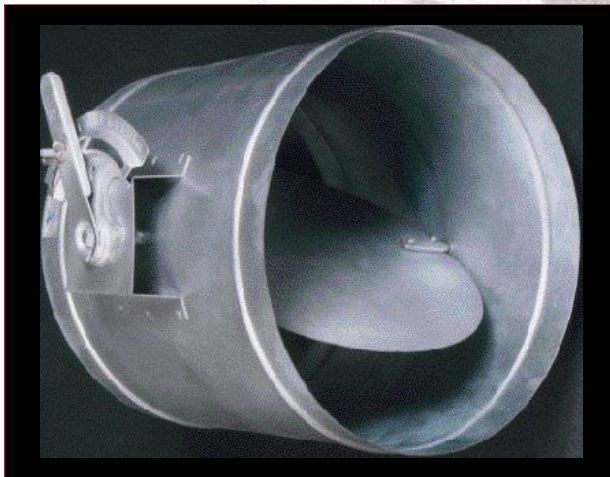
- **Motorized dampers:** Volume control dampers will be supplied with actuators of client's choice. The dampers can also be provided with an extended linkage to fix the motor at the site.

### Dimensions.

| D = Diameter | L = Length     | C     |
|--------------|----------------|-------|
| Up to 150 mm | L = 200 mm     | 50 mm |
| Above 150 mm | L = D + 100 mm | 50 mm |

### Standard Sizes:

| D = Duct opening in mm dia |     |     |     |     |     |
|----------------------------|-----|-----|-----|-----|-----|
| 100                        | 200 | 300 | 400 | 500 | 600 |





**air master**

**Fixing details:**

Fixing by rivets to flexible duct.

**How to order:**

| Model  | Size                        | Quantity           | Fixing          |
|--------|-----------------------------|--------------------|-----------------|
| AVCD-C | Specify duct diameter in mm | Specify in numbers | A = Bolt fixing |

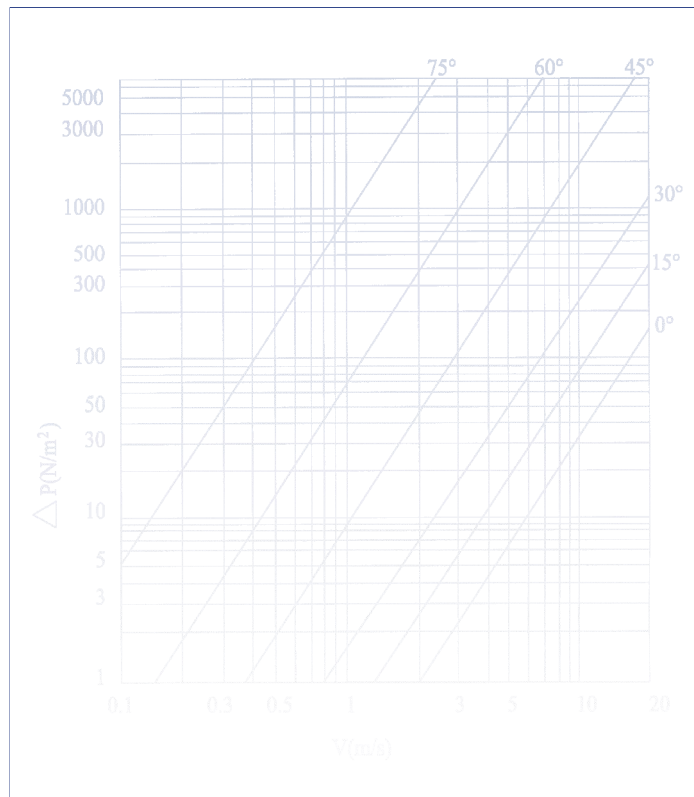
**Ordering example:**

- To select round volume control damper of size 400 mm dia, quantity 25 nos.  
Fixing details: Bolt fixing.

**Order as :** AVCD-C- 400 – 75 – A.

**Performance chart:**

Model: AVCD-C



Pressure drop - Circular VCD