

air master



# Chapter 15

## INDEX

### A. Plenum boxes

- 1. Plenum box - unlined.....: APB.....15.1
- 2. Insulated plenum box.....: APB-1.....15.2
  
- Plenum opening Vs No of slots. ....15.3
- Fixing details.....15.3
- How to order .....15.3





air master

# Plenum box - un lined

Model: APB

## Construction:

- **Frame:** 24, 22 or 20 gauge galvanized steel sheet.
- **Spigots:** Circular spigots of 75 mm length as standard. Square, rectangular and oval shaped spigots are available as option.
- **Optional accessories:** Volume control damper.

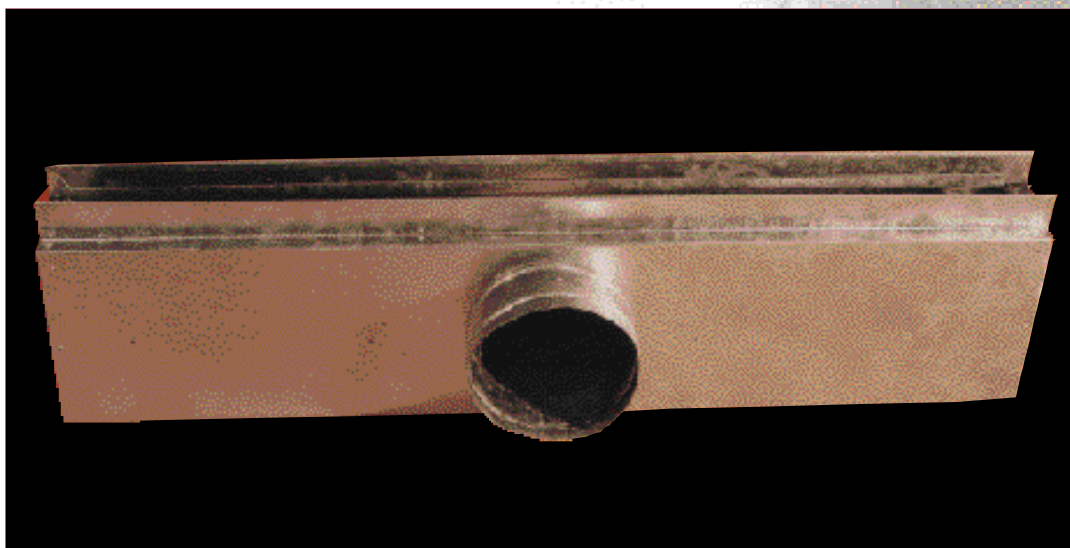
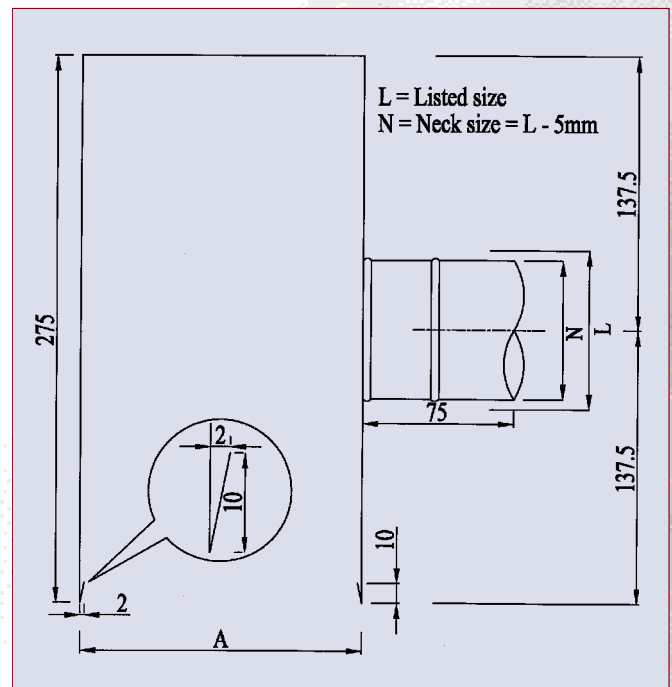
## Description:

- Fabricated from 24, 22 or 20 gauge galvanized steel sheet.
- Circular spigots of required diameter and standard length of 75 mm would be fixed to the plenum box. Square, rectangular and oval shape spigots are available if required.
- Plenum boxes with side inlet are standard. Other positions are available as per the site conditions to suit client's specifications.
- Plenum boxes have hemmed edge at the opening for fixing universal mounting brackets.
- Plenum boxes of length of upto two meters can be manufactured with single spigot. For more than 2 meters plenum boxes will be arranged with multiple spigots.
- Volume control dampers can be fitted to the

spigots on request.

## Other model: APB-D:

- **Dummy plenum boxes:** Dummy plenum boxes are available to cover in-active linear bar grilles and diffuser.





air master

# Insulated plenum box

Model: APB-I

## Construction:

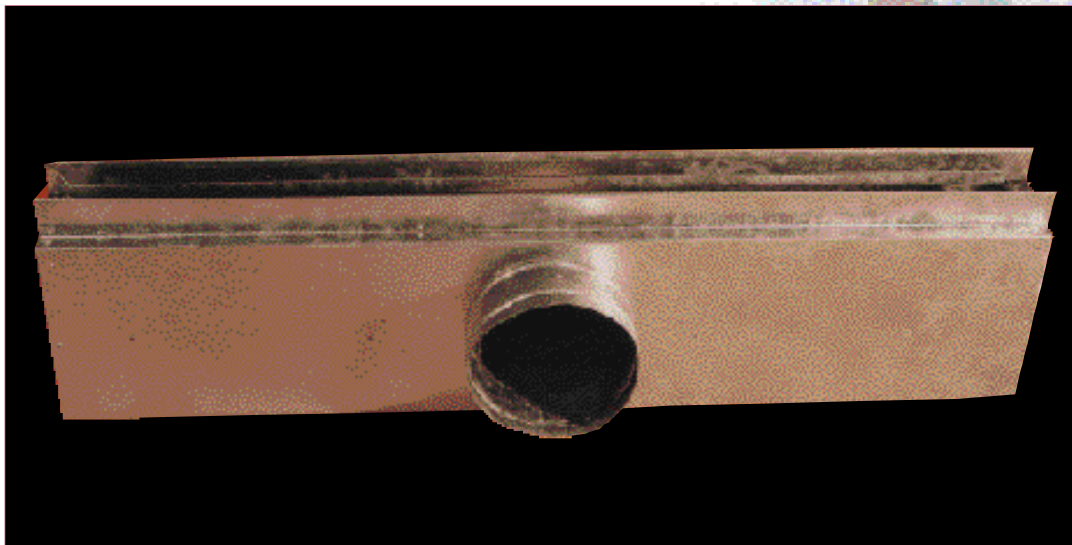
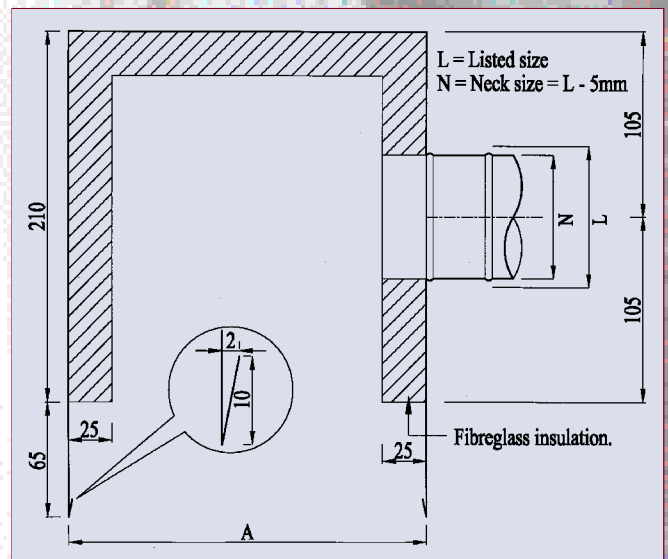
- **Frame:** 24, 22 or 20 gauge galvanized steel sheet.
- **Spigots:** Circular spigots of 75 mm length as standard. Square, rectangular and oval shaped spigots are available as option.
- **Optional accessories:** Volume control damper.
- **Insulation:** 25 mm thick, 24 kg/m<sup>3</sup> density fiber glass insulation as standard. Other insulation as option.

## Description:

- Fabricated from 24, 22 or 20 gauge galvanized steel sheet.
- Circular spigots of required diameter and standard length of 75 mm would be fixed to the plenum box. Square, rectangular and oval shape spigots are available if required.
- Plenum boxes with side inlet are standard. Other positions are available as per the site conditions to suit client's specifications.
- Plenum boxes have hemmed edge at the opening for fixing universal mounting brackets. These edges are un insulated.
- Internally insulated with 25 mm thick, 24 kg/m<sup>3</sup>

density fiber glass having black viel facing as standard. Other specifications available.

- Plenum boxes of length of upto two meters can be manufactured with single spigot. For more than 2 meters plenum boxes will be arranged with multiple spigots.
- Volume control dampers can be fitted to the spigots on request.



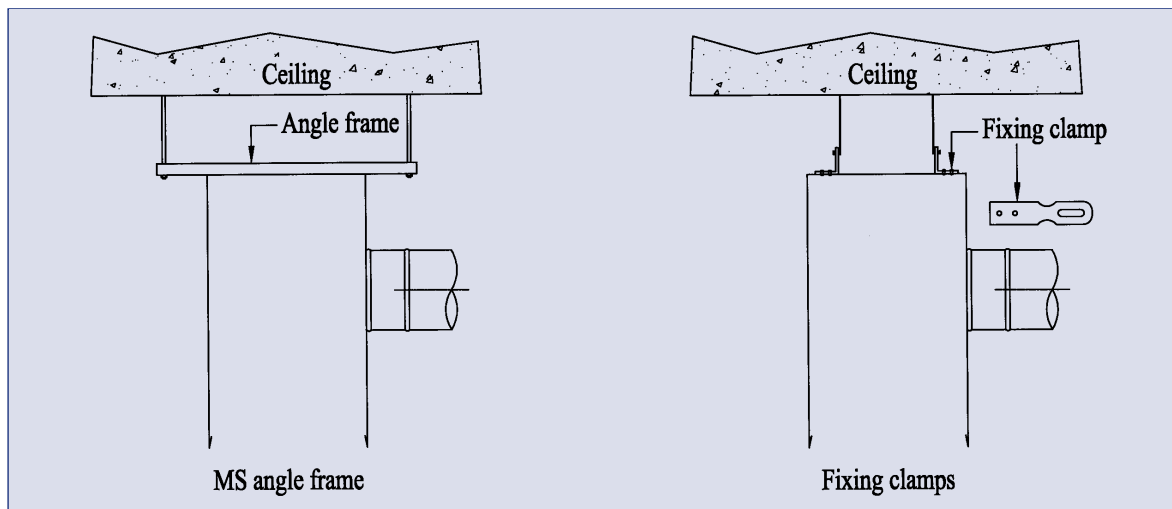


# air master

## Plenum opening Vs No of slots:

No of slots.	1	2	3	4	5	6	7	8
	Plenum opening size in mm							
1. 16 mm slot opening	48	78	108	138	168	198	228	258
2. 20 mm slot opening	52	86	120	154	188	188	256	290
3. 25 mm slot opening	57	96	136	174	213	213	291	330

## Fixing details:



## How to order:

Model	Size	Quantity	Insulation	Optional accessories
APB	Specify length x slot opening in mm x mm.	Specify in numbers	A = 25 mm thick 24 kg/m <sup>3</sup> fibre glass	1 = volume control dampers
APB-I			B= 25 mm thick 48 kg/m <sup>3</sup> fibre glass	
APB-D			C= Other insulation.	

## Ordering example:

- To order plenum box of size 1200 x 120 mm, quantity 50 nos. lined with 25 mm thick 24 kg/m<sup>3</sup> density fiber glass insulation.

**Order as :** APB-I-1200 x 120 – 50 – A.